



OZ SERIES HYDRAULIC MOTOR

OZ series motor are small volume, economical type, which is designed with shaft distribution flow, which adapt the Gerotor gear set design and provide compact volume, high power and low weight.

Characteristic features:

- * Advanced manufacturing devices for the Gerotor gear set, which provide small volume, high efficiency and long life.
- * Shaft seal can bear high pressure of motor of which can be used in parallel or in series.
- * Advanced construction design, high power and low weight.

Main Specification

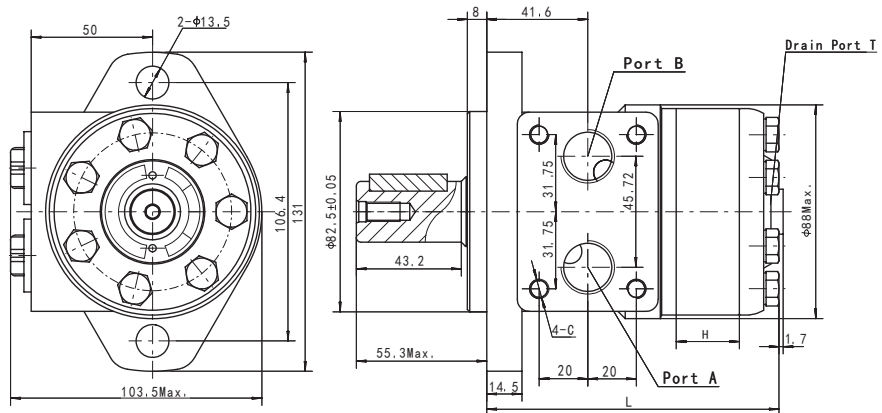
Technical data for OZ with 25 and 1 in and 1 in splined and 28.56 tapered shaft

Code	Displacement [cm ³ /rev]	Max.Speed [rpm]		Max.Torque [Nm]		Max.output [kW]		Max.pressure [MPa]		Max.Oil Flow[L/min]
		cont.	int.	cont.	int.	cont.	int.	cont.	int.	
OZ 36	36	1081		51	68	5.2	8.6	10.5	14	40
OZ 50	51.7	774		73	96	5.2	8.6	10.5	14	40
OZ 80	77.7	515		106	143	5.2	8.6	10.5	14	40
OZ 100	96.2	416		140	178	5.2	8.6	10.5	14	40
OZ 125	120.2	339		162	218	5.2	8.6	10.5	14	40
OZ 160	157.2	257		216	288	5.2	8.6	10.5	14	40
OZ 200	194.5	211		264	351	5.2	8.6	10.5	14	40
OZ 250	240.3	173		281	351	4.6	7	9	11.5	40
OZ 315	314.5	128		312	433	3.4	5.8	7	10.5	40
OZ 400	389.5	104		392	582	3.4	5.8	7	10.5	40

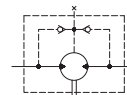
* Intermittent operation: the permissible values may occur for max.10% of every minute

OZ DIMENSIONS AND MOUNTING DATA

Type	H	L
OZ36	7	101
OZ50	7	101
OZ80	10.5	104.5
OZ100	13	107
OZ125	16	110
OZ160	21	115
OZ200	26	120
OZ250	32	126
OZ315	42	136
OZ400	52	146



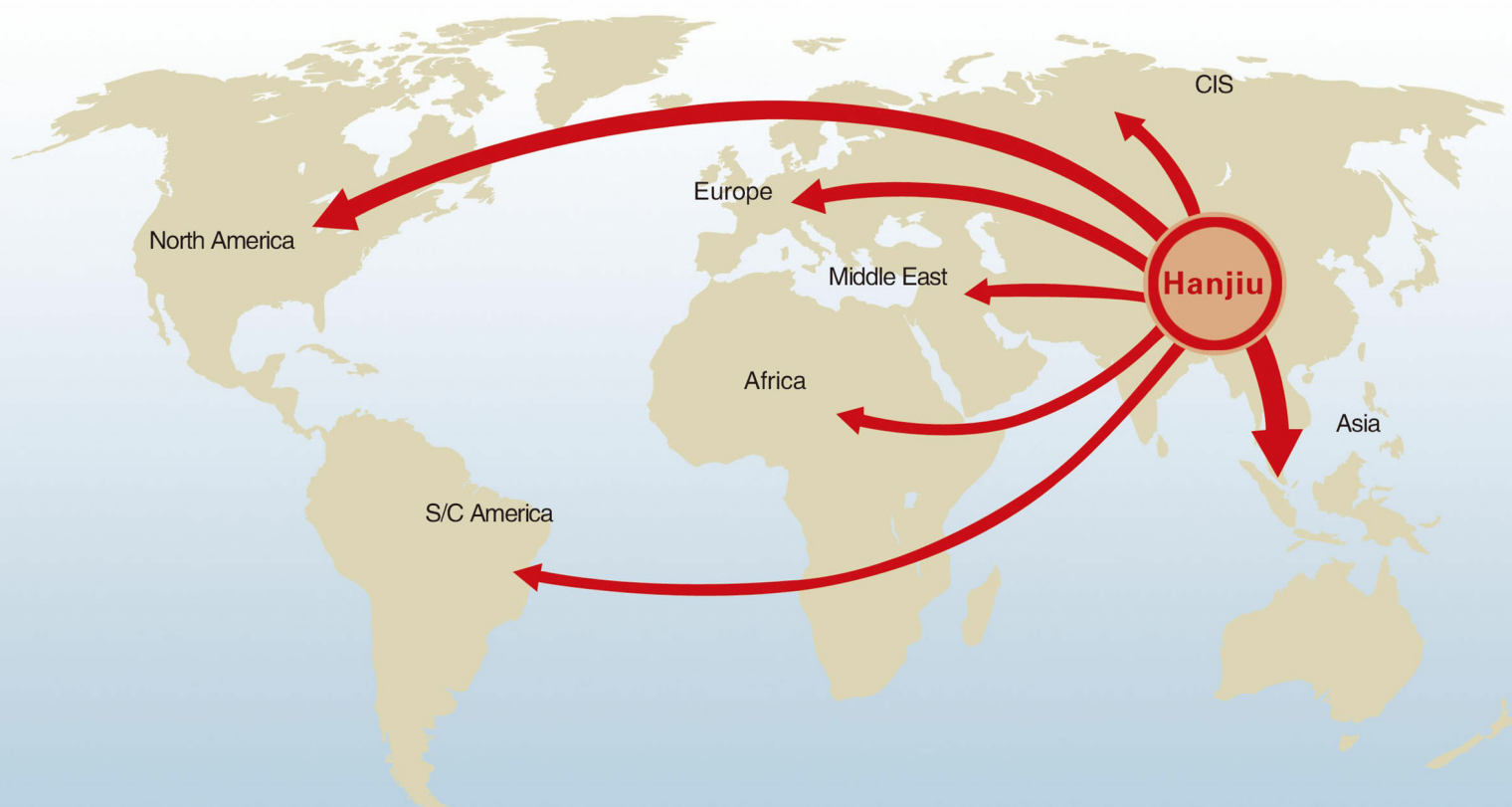
Code	D (depth)	M (depth)	S (depth)	P (depth)	R (depth)
P(A,B)	G1/2 (15)	M22 x 1.5 (15)	7/8-14 O-ring (16.7)	1/2-14NPTF (15)	PT(RC)1/2 (15)
C	4-M8 (13)	4-M8 (13)	4-5/16-18UNC(13)	4-5/16-18UNC(13)	4-M8 (13)
T	G1/4 (12)	M14 x 1.5 (12)	7/16-20UNF (12)	7/16-20UNF (12)	PT(RC)1/4 (9.7)



Direction of shaft rotation: Standard
When facing shaft end of motor, shaft to rotate:
Clockwise when port "A" is pressurized.
Counter-clockwise when port "B" is pressurized.

专业做液压-专注做精品

PROFESSIONAL ON HYDRAULIC- FOCUS ON HIGH QUALITY



石家庄寒九科技有限公司

地址：中国河北石家庄友谊北大街398号

电话：+86 (311) 68123061

传真：+86 (10) - 80115555-568844

邮编：050000

网址：www.hjhydraulic.com

邮箱：manager@sjzhjism.com

SHIJIAZHUANG HANJIU TECHNOLOGY CO.,LTD.

Add: No. 398 Youyi Street, Shijiazhuang, Hebei, China

Tel: +86 (311) 68123061

Fax: +86 (10) - 80115555-568844

Post code: 050000

Web: www.hjhydraulic.com

Email: manager@sjzhjism.com